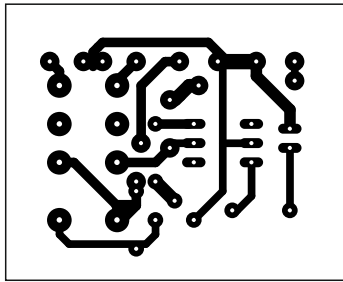
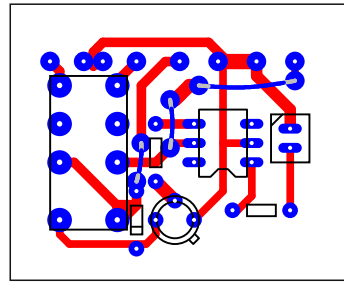


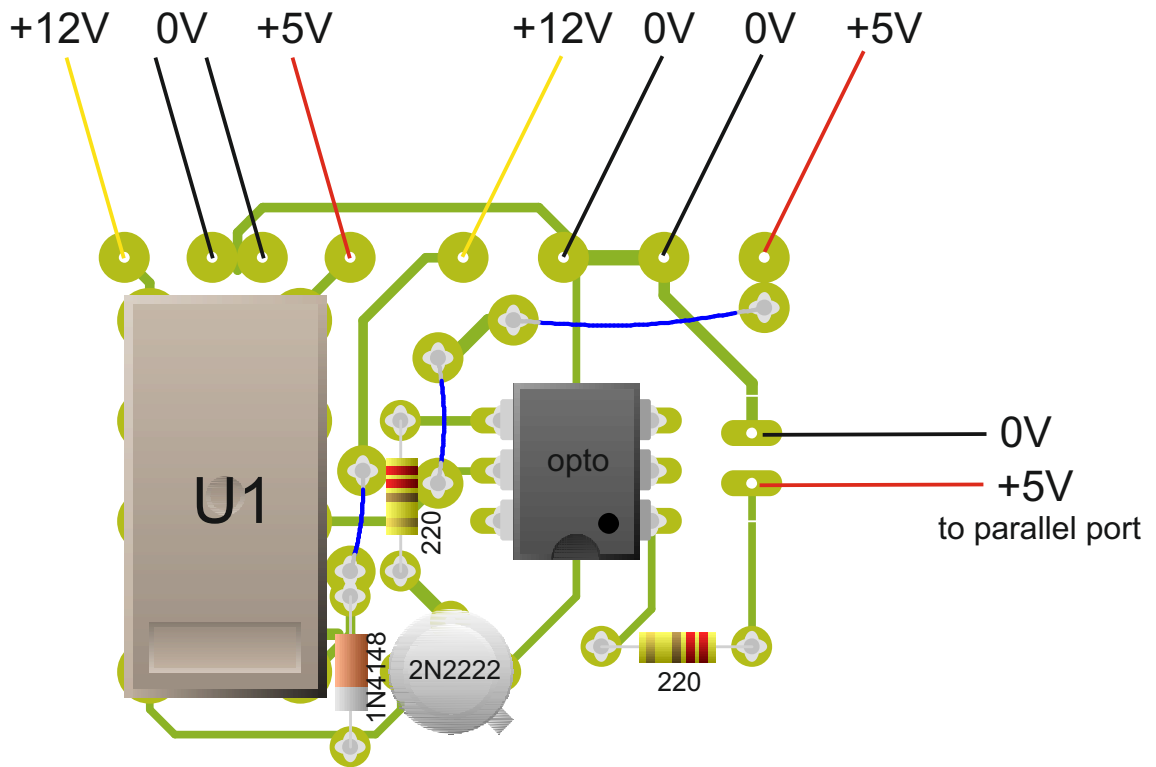
Parallel (LPT) port switching interface



PCB 1:1



Component layout



U1 - 12V twin relay
opto - optocoupler